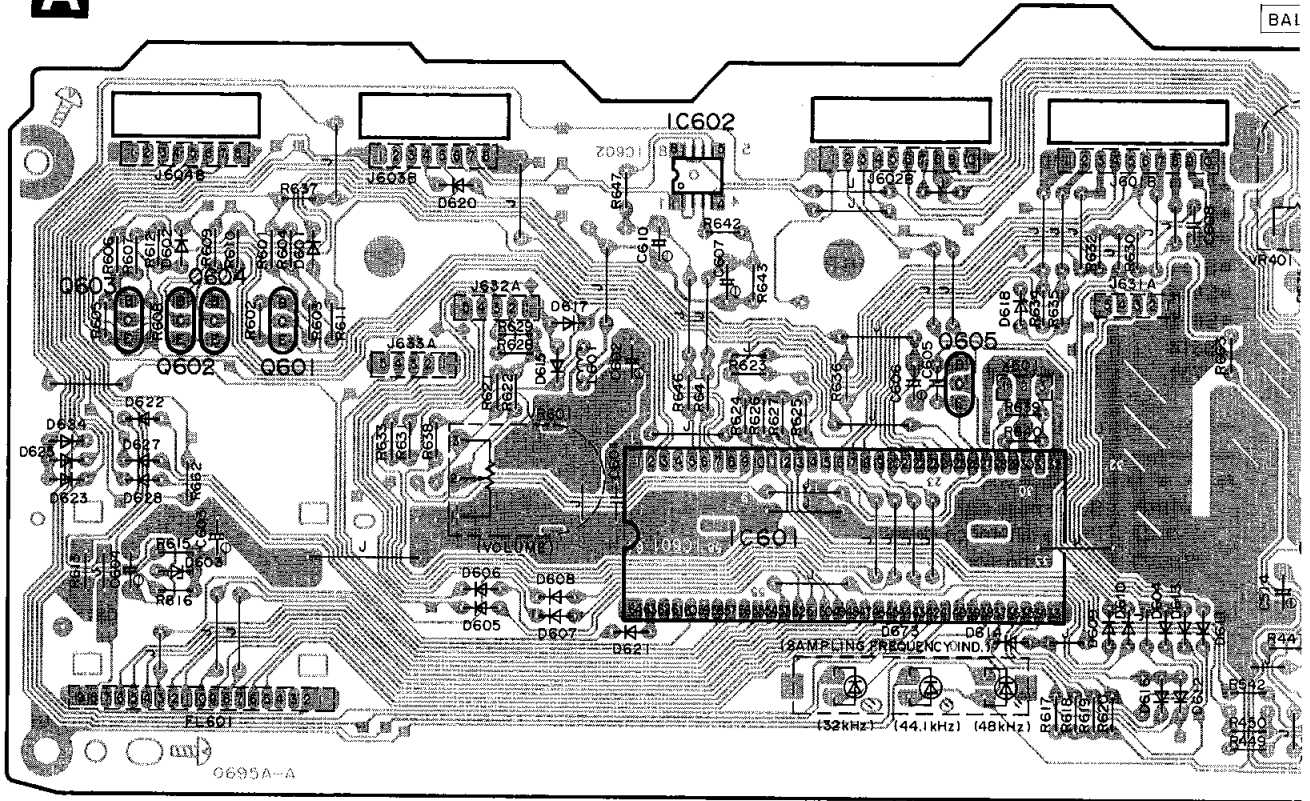


■ CIRCUIT BOARD DIAGRAM

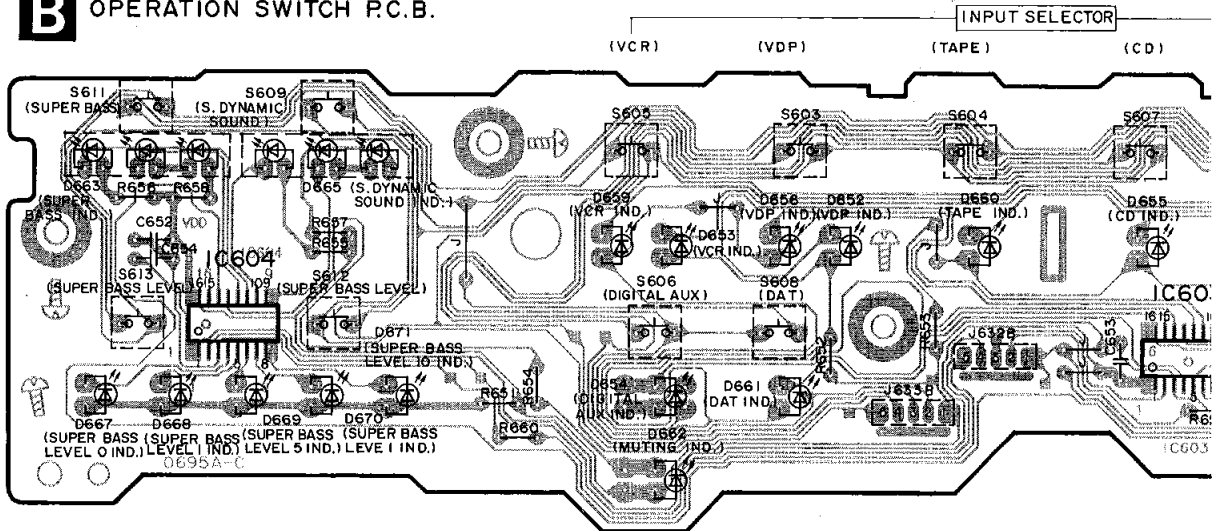
1 | 2 | 3 | 4 | 5

A
B
C
D
E
F

A FL DRIVE P.C.B.



B OPERATION SWITCH P.C.B.



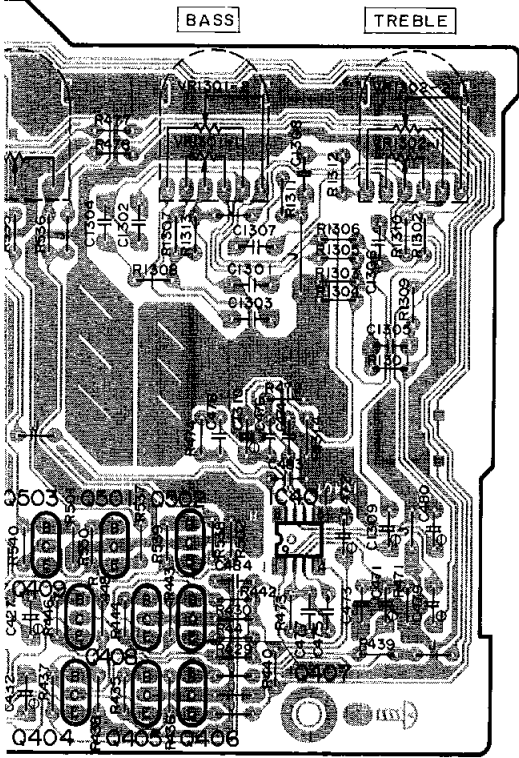
6

7

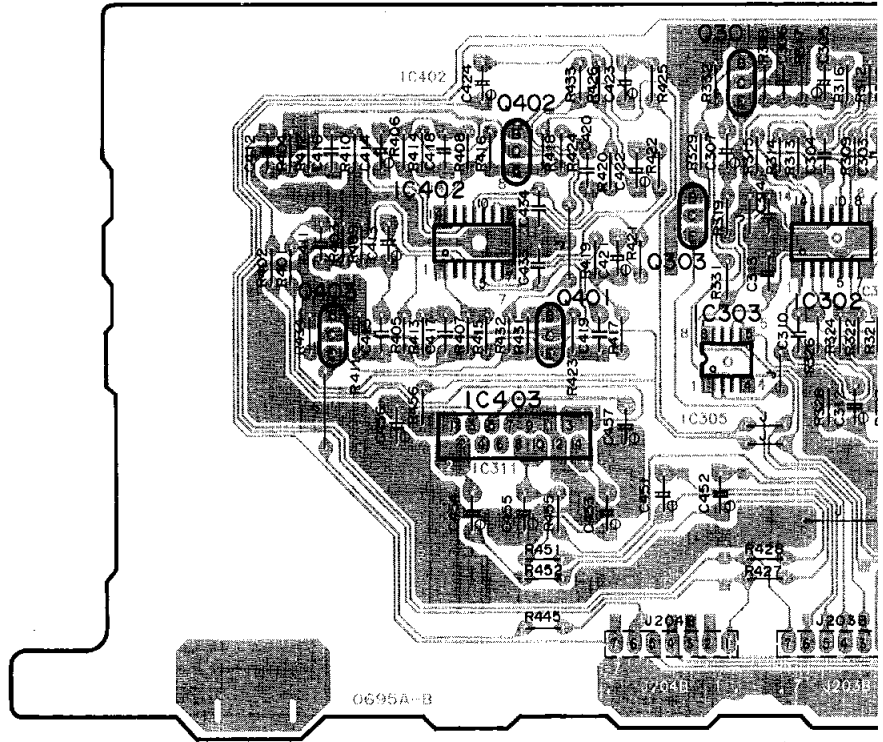
8

9

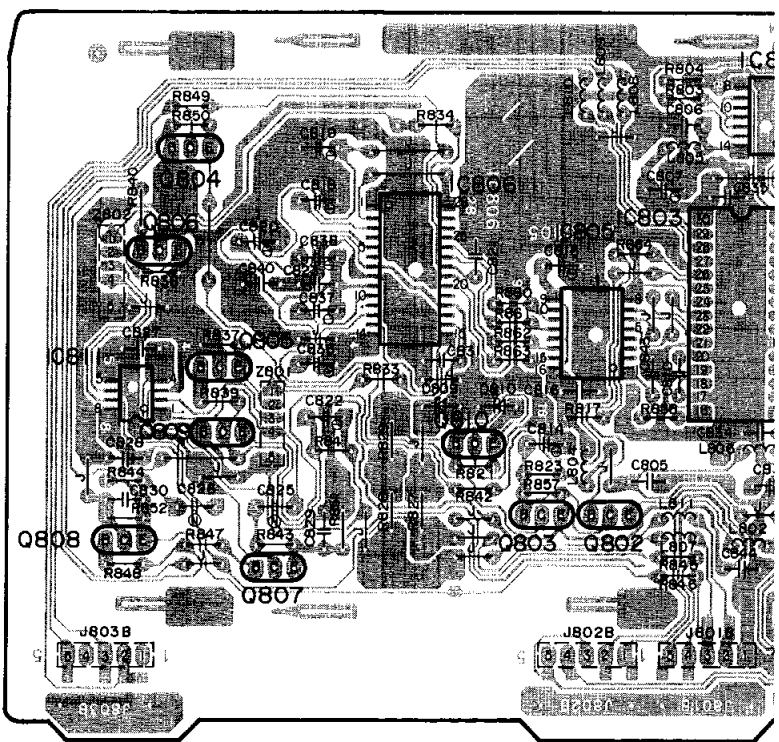
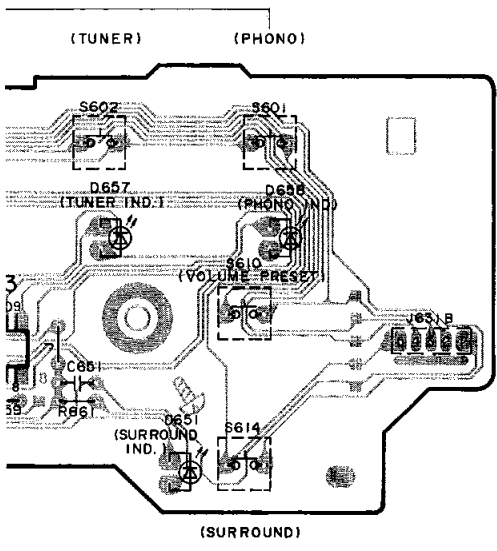
ANCE



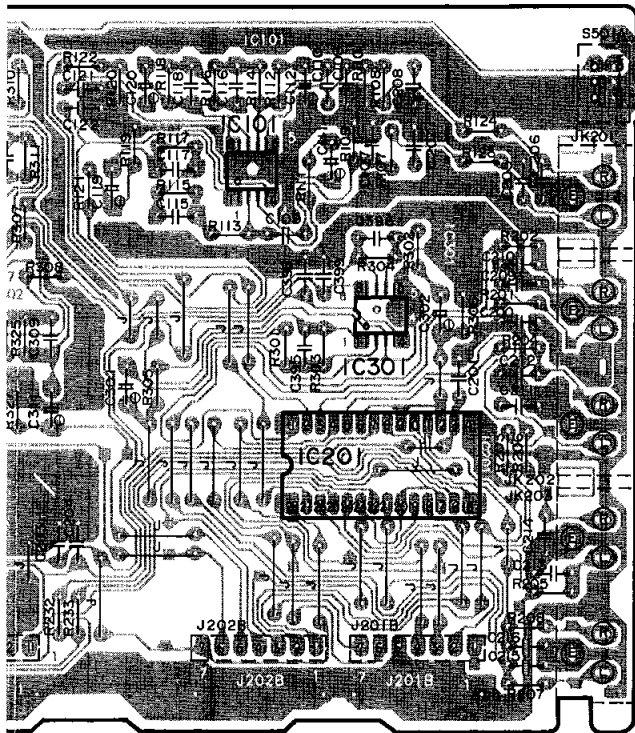
F PHONO/TAPE/TUNER/CD TERMINAL P.C.B.



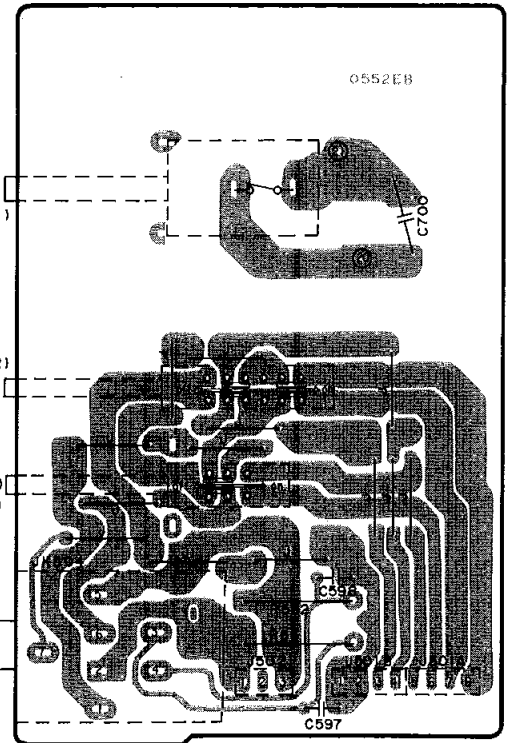
C D/A CONVERTER P.C.B.



H POWER SWITCH/HEADPHONES P.C.B.

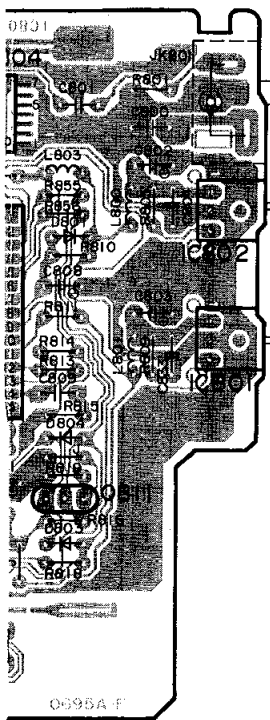


- ACTIVE CURRENT SENSOR
- PHONO
- (REC OUT)
- TAPE
- (PLAYBACK)
- TUNER
- CD

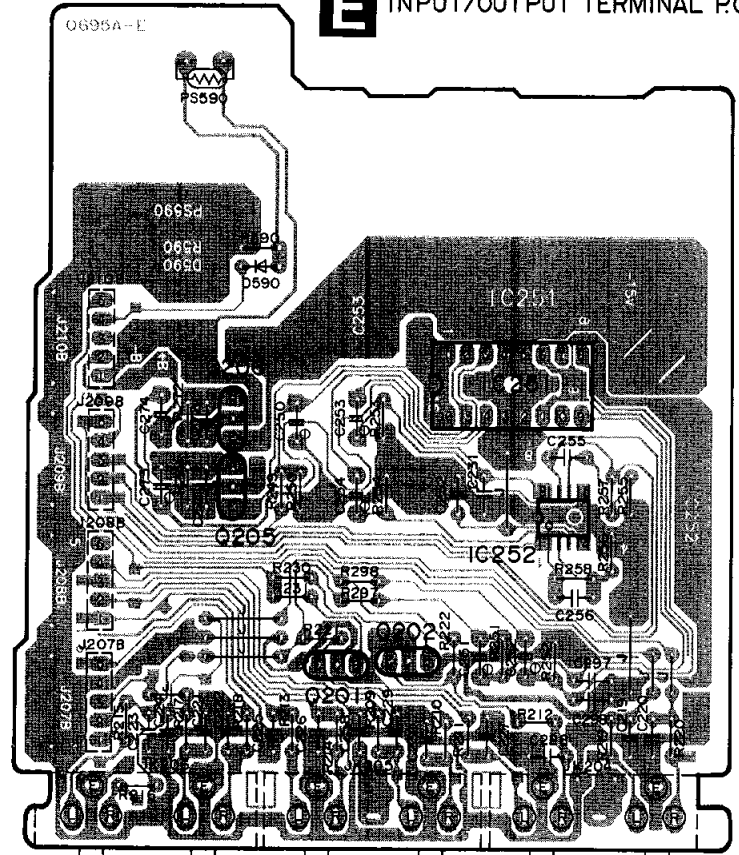


- POWER (S701)
- (S501-2)
- (A)
- SPEAKERS
- (B)
- (S501-1)
- PHONES

E INPUT/OUTPUT TERMINAL P.C.B.

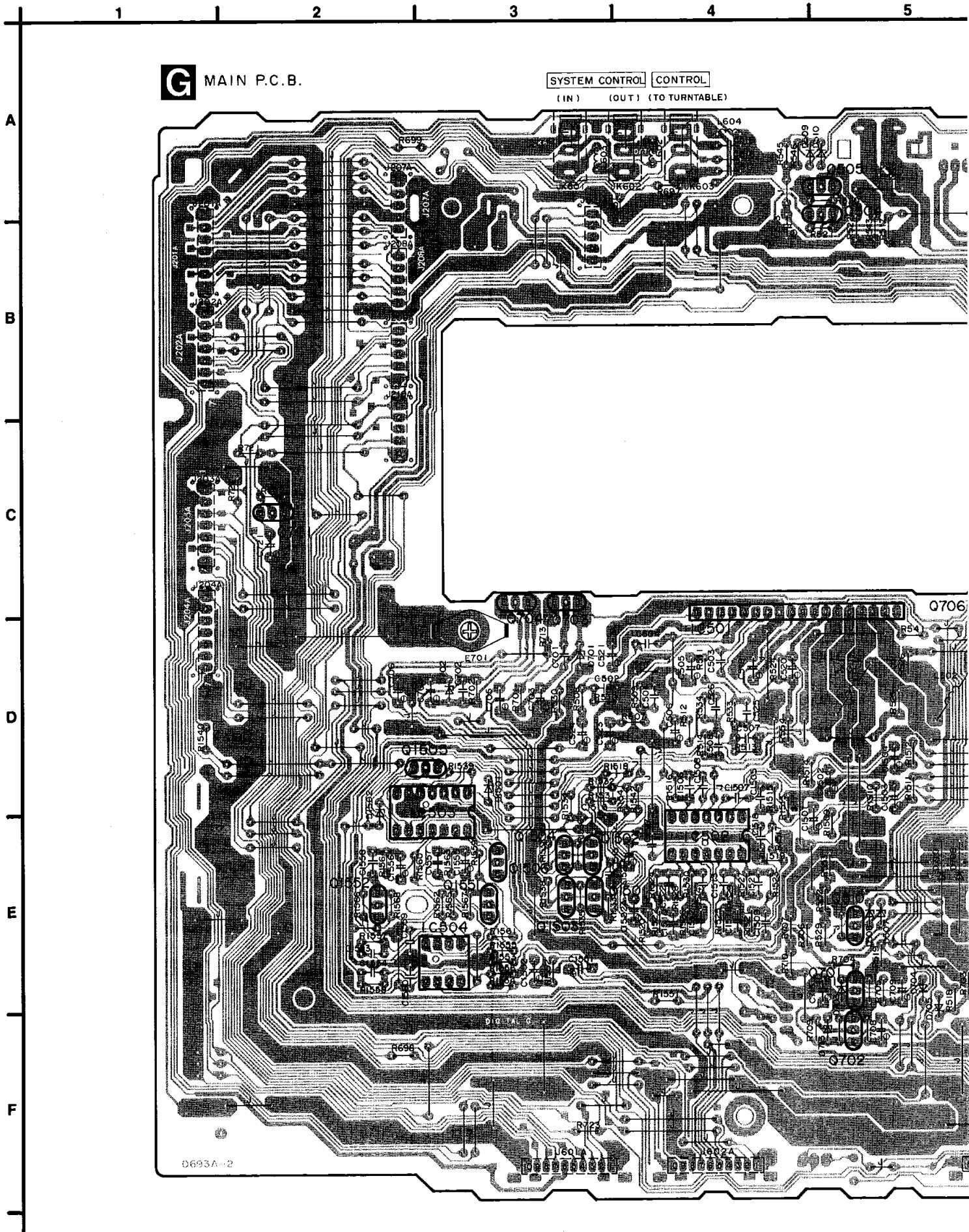


- (AUX)
- (DAT) DIGITAL INPUT
- (CD)



- (INPUT)
- (OUTPUT)
- EXT
- VDP
- (PLAYBACK)
- (REC OUT)
- VCR
- (REC OUT)
- DAT

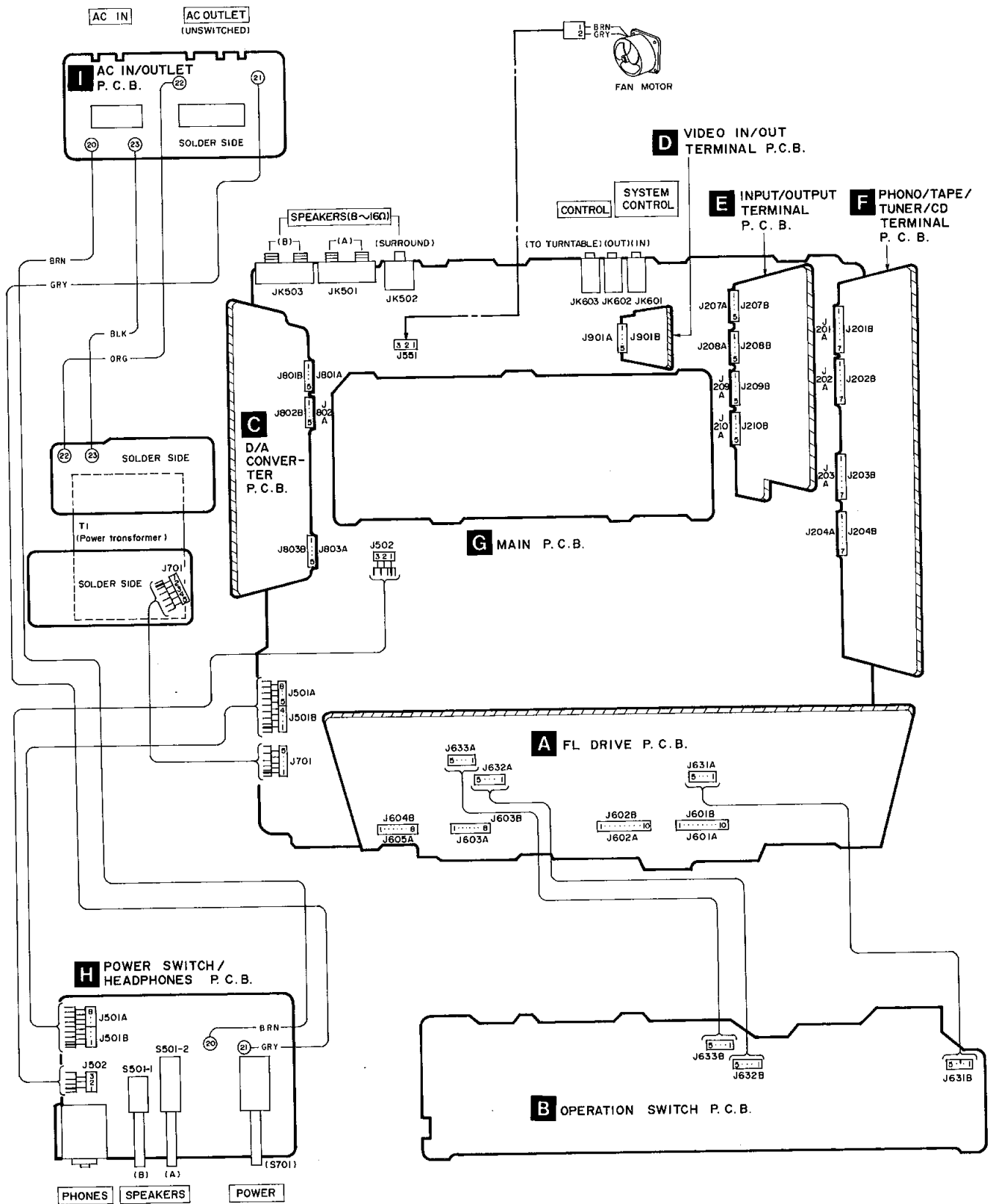
CIRCUIT BOARD DIAGRAM



■ TERMINAL GUIDE OF IC'S, TRANSISTORS AND DIODES

<p>AN6558SFE2</p>	<p>BA4558FDXT1 BA4560FT1</p>	<p>AN6554NSFE2</p>	<p>BU2040F-T2 MC74HCU04FEL</p>	<p>PCM1700U-T1</p>
<p>M5218AP</p>	<p>AN6554F</p>	<p>TC4066B</p>	<p>M5283P</p>	<p>MC14052BCP</p>
<p>TC9164N</p>	<p>PD0052</p>	<p>M50754-180SP</p>	<p>M51131L-702</p>	<p>SVI3205</p>
<p>GP1F32R</p>		<p>2SA1309AQSTA 2SC3311AQSTA 2SC3312RSTA 2SD1450STTA UN4215TA</p>		<p>2SD2144STA DTA114ESTP DTC114ESTP DTC144ESTP</p>
<p>2SA992EFPTA 2SB621AQRSTA 2SC3114STUTA</p>	<p>2SB1187DEF 2SD1761DEF</p>		<p>MA165TA MA167TA MA700TA 1SS291TA</p>	<p>P300DLF</p>
	<p>MA4043MTA MA4047MTA MA4051LTA MA4051MTA</p>		<p>MA4120MTA MA4150MTA</p>	<p>LN473YP-C LN873RP-C</p>
<p>LN038568PH</p>	<p>LN038568PH</p>		<p>LD701YY</p>	

WIRING CONNECTION DIAGRAM



FUNCTION OF IC TERMINALS

•IC601

Pin No.	Symbol	I/O	Function Description
1	VDD	I	+5 V
2	B. DATA OUT	O	Bus data signal out
3	B. CLK OUT	O	Bus clock signal out
5	S. BASS PWM	O	Super bass control signal output
6	VR PWM	O	Volume control signal output
7	B. DATA IN	I	Bus data signal input
8	B. CLK IN	I	Bus clock signal input
9	VRA	I	Rotary encoder (VR601) signal input (Volume control)
10	VRB		
11 } 13	MUT3 } MUT1	O	Muting control signal output
15	REC M	O	Muting control signal output for VTR recording
16	DATA	O	Data signal output
17	CLK	O	Clock signal output
18	STB1	O	The serial data inputted in to IC201 is latched by the STB pulse and the switch is set to ON according to data
19	DATA2	O	LED control signal output
20	CLK2	O	Clock output for IC604
21	PLSTOP	O	Player control signal output
22	PLST/ PHONO		
23	PSAY		
24	HLT/HST	I	Power supply detect signal input

•IC805

Pin No.	Symbol	I/O	Function Description
1	X IN	I	Clock signal input
2	X OUT	O	Clock signal output
3	MODE1	I	Master clock input
4	CK OUT	—	NC
5	LR CLK	I	LR clock input
6	DATA	I	Serial data input
7	BCK	I	Bit clock input
8	VSS	—	GND

Pin No.	Symbol	I/O	Function Description
25	DIR1	I	Sampling frequency detect signal input
26	CNVSS	—	GND
27	RESET	I	Reset signal input
28	X IN	I	Clock signal input
29	X OUT	O	Clock signal output
32	VSS	—	GND
34 } 37	KS3 } KS0	I	Key scan signal input
38	VP	I	Pull down voltage detect signal input
39	S2	O	Input select control signal output
40	S1		
41 } 48	S8 } S1	O	FL drive signal output
49 } 52	K4 } K1		
53 } 56	G4 } G1		
57	SEL2	O	LED control signal output
58	SEL1		
60	S. BASS. D	O	Super bass control signal output
63	SURR. D	O	Surround control signal output

Pin No.	Symbol	I/O	Function Description												
9	MODE2	I	Select the output data <table border="1"> <thead> <tr> <th>MODE3</th> <th>MODE2</th> <th>OUTPUT DATA</th> </tr> </thead> <tbody> <tr> <td>H</td> <td>H</td> <td>18 bit</td> </tr> <tr> <td></td> <td>L</td> <td>16 bit</td> </tr> <tr> <td>L</td> <td>—</td> <td>20 bit</td> </tr> </tbody> </table>	MODE3	MODE2	OUTPUT DATA	H	H	18 bit		L	16 bit	L	—	20 bit
MODE3	MODE2			OUTPUT DATA											
H	H			18 bit											
	L	16 bit													
L	—	20 bit													
13	MODE3														
10	SHOUT	—	NC												
11	LD OUT	O	Lch signal output												
12	RD OUT	O	Rch signal output												
14	W OUT	O	Ward clock output												
15	B OUT	O	Bit clock output												
16	VDD	I	To be connected to a power supply (+5 V)												

●IC803

Pin No.	Symbol	I/O	Function Description
1	IN1	I	Digital audio interface signal input
2	IN2		
3	IN3		
4	S1	I	Input select 1
5	S2	I	Input select 2
6	OUT	O	Input data select signal out
7	TEST	I	———— (VDD)
8	RESET	I	Reset signal input
9	VCOINH	I	VCO control signal input
10	VSS	—	Digital ground
11	PCVS	I	VCO control signal input
12	PCOUT	O	Phase comparative output
13	R	—	VCO adjustment (Resistor)
14	VCO IN	I	VCO control signal input
15	VDD1	I	VCO VDD

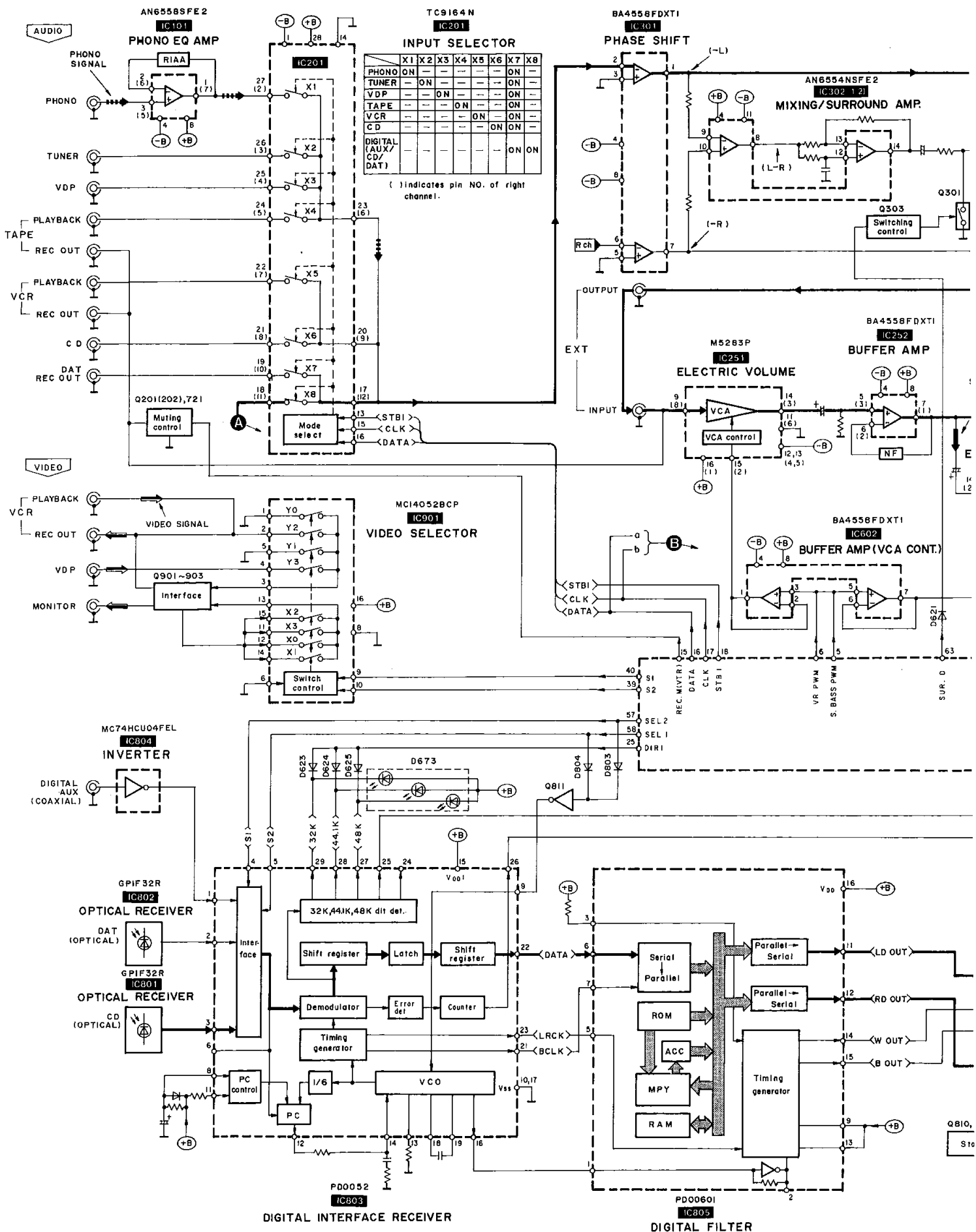
Pin No.	Symbol	I/O	Function Description
16	VCO OUT	O	VCO output
17	VSS1	—	VCO ground
18	CA	—	VCO adjustment (Capacitor)
19	CB	—	VCO adjustment (Capacitor)
20	MODE	—	L: 16 bit H: 20 bit
21	BCK	O	Data bit clock output
22	DATA	O	Audio data output
23	LRCK	O	Lch/Rch data output (H: Lch)
24	COPY	—	————
25	EMPH	O	Enphasis data output
26	ERR	O	PLL data error output (H: error)
27	48K	O	Sampling frequency data output LED drive signal output
28	44.1K		
29	32K		
30	VDD	I	Digital VDD

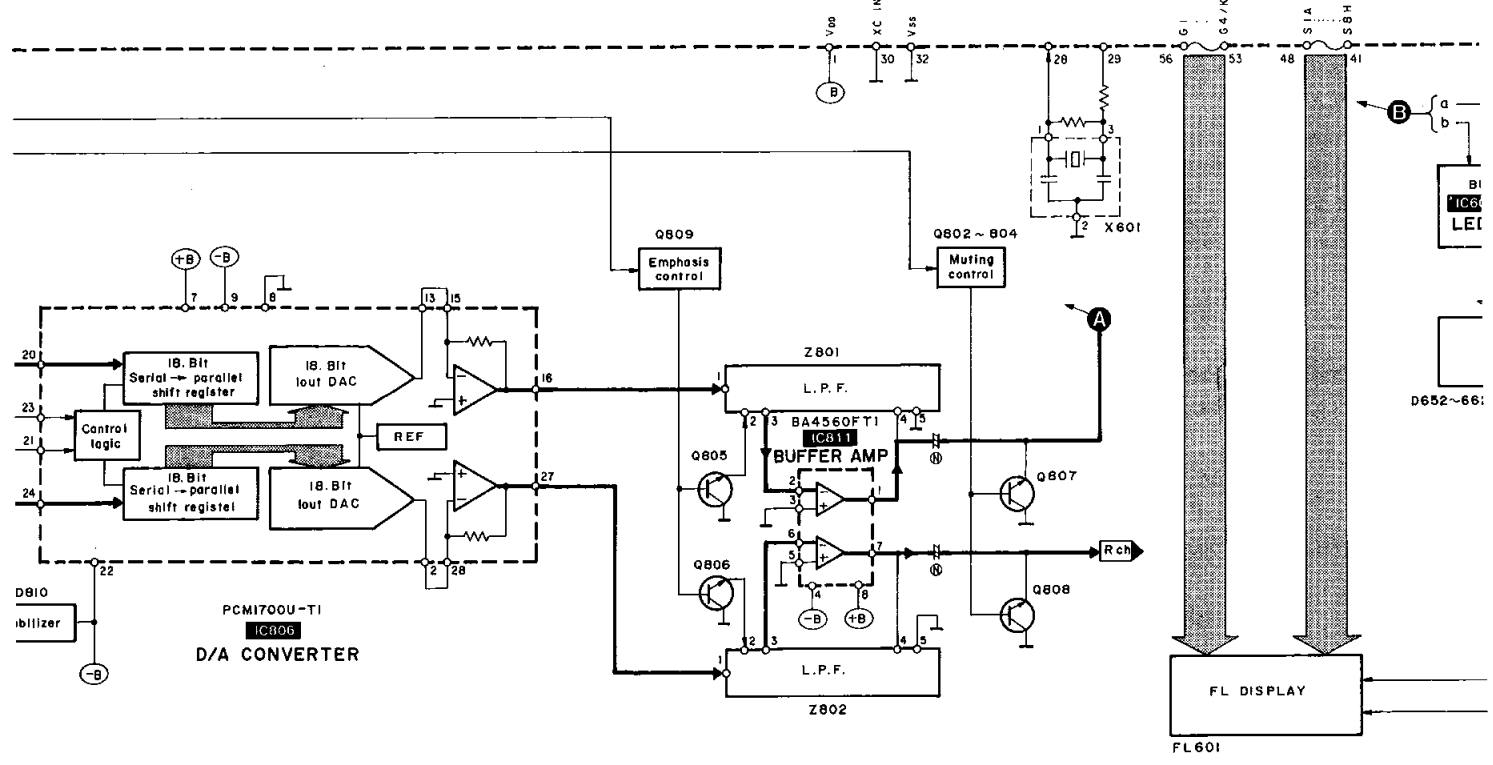
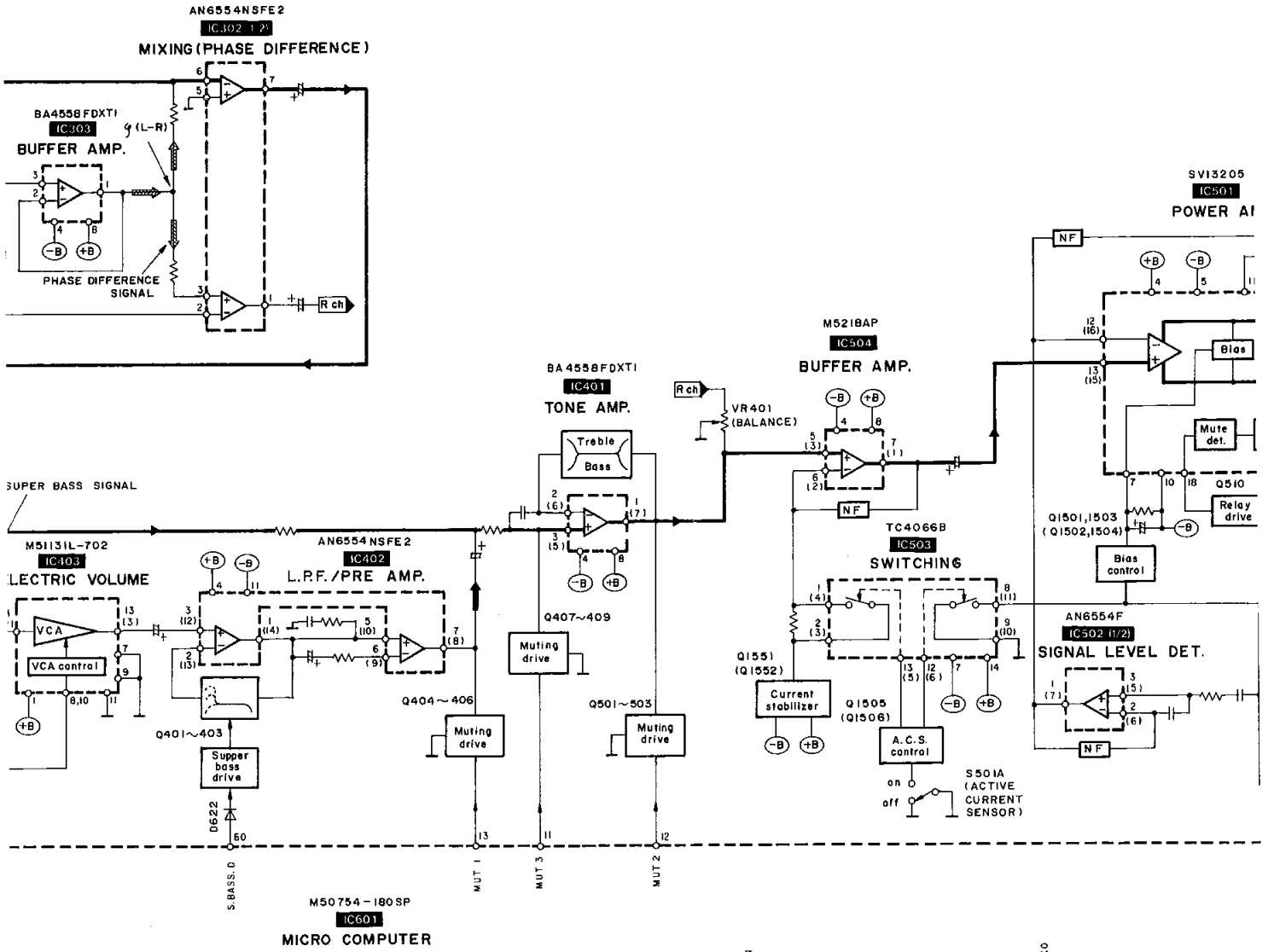
●IC806

Pin No.	Symbol	I/O	Function Description
1	A. GND	—	Analog ground
2	I OUT (R)	O	Current output (Rch)
3	BPO DC (R)	I	Offset filter (Rch)
4	MSB ADJ (R)	—	————
5	SERVO DC (R)	I	Servo filter (Rch)
6	V POT	—	————
7	VCC	I	Analog positive supply
8	D. GND	—	Digital ground
9	-VCC	I	Analog negative supply
10	SERVO DC (L)	I	Servo filter (Lch)
11	MSB ADJ (L)	—	————
12	BPO DC (L)	I	Offset filter (Lch)
13	I OUT (L)	O	Current output (Lch)
14	A. GND	—	Analog ground

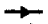




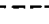
Pin No.	Symbol	I/O	Function Description
15	S. J (L)	I	Summing junction (Lch)
16	V OUT (L)	O	Voltage output (Lch)
17	NC	—	————
18	VDD	I	Digital positive supply
19	NC	—	————
20	DATA (L)	I	Data input (Lch)
21	CLOCK	I	Clock input
22	-VDD	I	Digital negative supply
23	LEC	I	Latch enable control input
24	DATA (R)	I	Data input (Rch)
25	D. GND	—	Digital ground
26	NC	—	————
27	V OUT (R)	O	Voltage output (Rch)
28	S. J (R)	I	Summing junction (Rch)

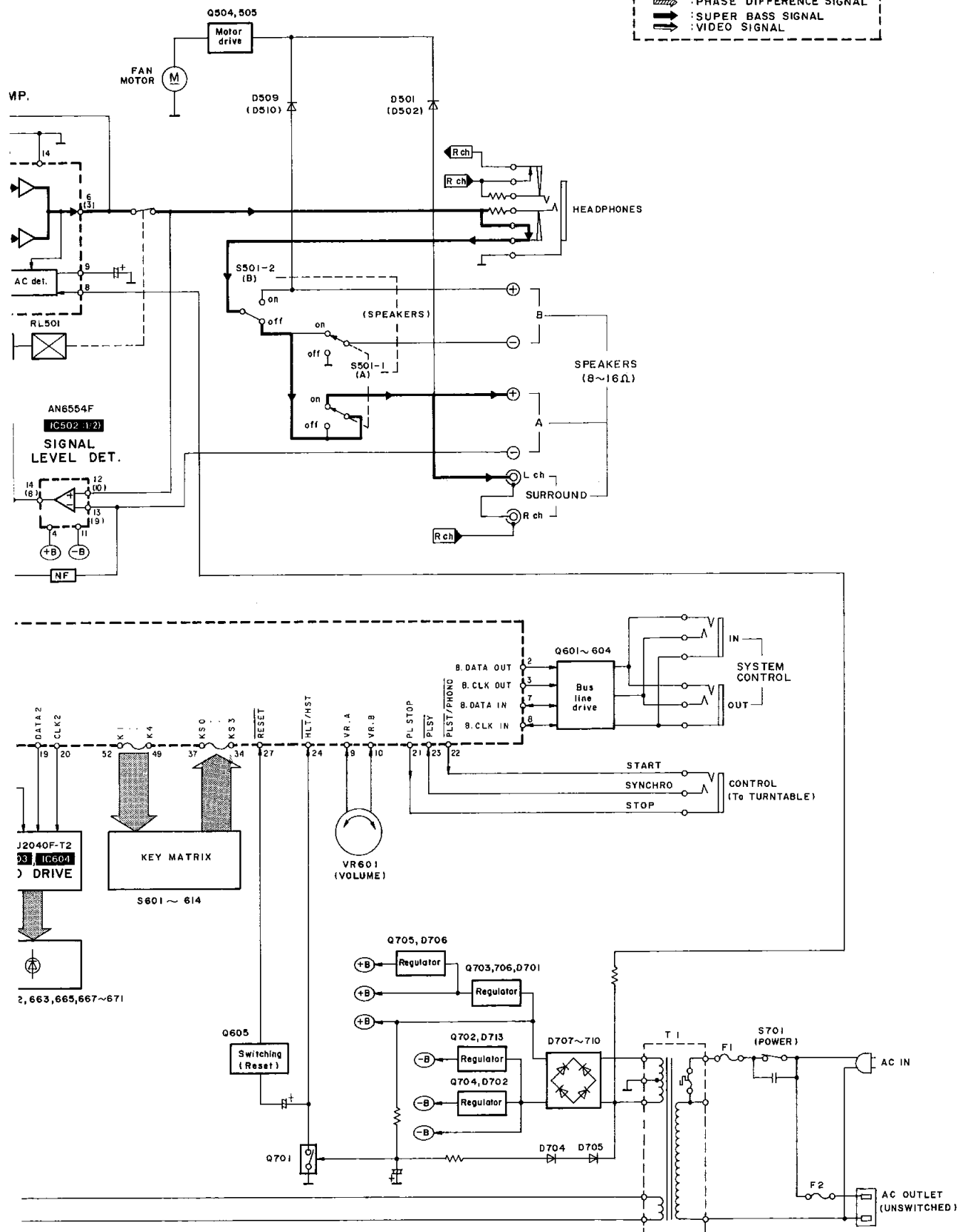
■ BLOCK DIAGRAM





Notes:

-  : CD SIGNAL (DIGITAL)
-  : PHONO SIGNAL
-  : MAIN SIGNAL
-  : PHASE DIFFERENCE SIGNAL
-  : SUPER BASS SIGNAL
-  : VIDEO SIGNAL



REPLACEMENT PARTS LIST

Notes : * Important safety notice:

Components identified by Δ mark have special characteristics important for safety. When replacing any of these components use only manufacturer's specified parts.

* The parenthesized indications in the Remarks columns specify the areas. (Refer to the cover page for area.)
Parts without these indications can be used for all areas.

Ref. No.	Part No.	Part Name & Description	Remarks	Ref. No.	Part No.	Part Name & Description	Remarks
		INTEGRATED CIRCUIT(S)		Q603	2SC3311A-Q	TRANSISTOR	
				Q604	DTC144EKT96	TRANSISTOR	
				Q605	DTC114ESTP	TRANSISTOR	
IC101	AN6558SFE2	I. C, PHONO EQ AMP		Q701	UN4215	TRANSISTOR	
IC201	TC9164N	I. C, INPUT SELECTOR		Q702	2SB621A-R	TRANSISTOR	
IC251	M5283P	I. C, ATTENUATOR		Q703	2SD1761DEF	TRANSISTOR	
IC252	BA4558FDXT1	I. C, BUFFER AMP		Q704	2SB1187DEF	TRANSISTOR	
IC301	BA4558FDXT1	I. C, PHASE SHIFT		Q705, 706	2SD1761DEF	TRANSISTOR	
IC302	AN6554NSFE2	I. C, MIXING/SURROUND AMP		Q721	DTA114ESTP	TRANSISTOR	
IC303	BA4558FDXT1	I. C, BUFFER AMP		Q802, 803	DTC114ESTP	TRANSISTOR	
IC401	BA4558FDXT1	I. C, TONE AMP		Q804	DTA114ESTP	TRANSISTOR	
IC402	AN6554NSFE2	I. C, L. P. F/PRE AMP		Q805, 806	2SC3114STUTA	TRANSISTOR	
IC403	M51131L-702	I. C, ELECTRIC VOLUME		Q807, 808	2SD2144S	TRANSISTOR	
IC501	SV13205	I. C, POWER AMP		Q809	DTA114ESTP	TRANSISTOR	
IC502	AN6554F	I. C, SIGNAL LEVEL DET.		Q810	2SC3311A-Q	TRANSISTOR	
IC503	TC4066B	I. C, SWITCHING		Q811	DTC114ESTP	TRANSISTOR	
IC504	M5218AP	I. C, BUFFER AMP		Q901	2SA1309A-R	TRANSISTOR	
IC601	M50754-180SP	I. C, MICRO COMPUTER		Q902, 903	2SC3311A-Q	TRANSISTOR	
IC602	BA4558FDXT1	I. C, BUFFER AMP		Q1501-1504	2SA1309A-R	TRANSISTOR	
IC603, 604	BU2040F-T2	I. C, LED DRIVE		Q1505	DTC114ESTP	TRANSISTOR	
IC801, 802	GPIF32R	I. C, OPTICAL RECEIVER		Q1506	DTA114ESTP	TRANSISTOR	
IC803	PD0052	I. C, DIGITAL INTERFACE		Q1551, 1552	2SC3312RSTA	TRANSISTOR	
IC804	MC74HCU04FEL	I. C, INVERTER				DIODE(S)	
IC805	PD00601	I. C, DIGITAL FILTER					
IC806	PCM1700U-T1	I. C, D/A CONVERTER		D501, 502	MA167	DIODE	
IC811	SVIBA4560FT1	I. C, BUFFER AMP		D504	MA4051MTA	DIODE	
IC901	MC14052BCP	I. C, VIDEO SELECTOR		D507, 508	MA4120	DIODE	
		TRANSISTOR(S)		D509, 510	MA167	DIODE	
				D590	MA165	DIODE	
Q201, 202	2SD2144S	TRANSISTOR		D601, 602	MA700	DIODE	
Q205	2SC3311A-Q	TRANSISTOR		D603	MA4047MTA	DIODE	
Q206	2SA1309A-R	TRANSISTOR		D604-614	MA165	DIODE	
Q301	2SD2144S	TRANSISTOR		D615	ISS291TA	DIODE	
Q303	DTA114ESTP	TRANSISTOR		D616-618	MA165	DIODE	
Q401, 402	2SD2144S	TRANSISTOR		D620-625	MA165	DIODE	
Q403	DTA114ESTP	TRANSISTOR		D627, 628	MA165	DIODE	
Q404	DTA114ESTP	TRANSISTOR		D651	LN873RP-C	DIODE	
Q405-408	2SD2144S	TRANSISTOR		D652, 653	LN473YP-C	DIODE	
Q409	2SA1309A-R	TRANSISTOR		D654-662	LN873RP-C	DIODE	
Q501, 502	2SD1450STTA	TRANSISTOR		D663	LD701YY	DIODE	
Q503	2SA1309A-R	TRANSISTOR		D665	LD701YY	DIODE	
Q504	2SC3311A-Q	TRANSISTOR		D667-671	LN873RP-C	DIODE	
Q505	2SA1309A-R	TRANSISTOR		D673	LN038568PH	DIODE	
Q510	2SA992EFPTA	TRANSISTOR		D701, 702	MA4150M	DIODE	
Q601	2SC3311A-Q	TRANSISTOR		D703	MA165	DIODE	
Q602	DTC144EKT96	TRANSISTOR		D704, 705	MA167	DIODE	

Ref. No.	Part No.	Part Name & Description	Remarks	Ref. No.	Part No.	Part Name & Description	Remarks
D706	MA4062-H	DIODE					
D707-710△	P300DLF	DIODE				FUSE (S)	
D713	MA4240H	DIODE					
D801	MA165	DIODE		F1, 2 △	XBA2C20TBO	FUSE	
D803, 804	MA165	DIODE					
D809	MA4051-L	DIODE				SWITCH(ES)	
D810	MA4043M	DIODE					
D901	MA4047MTA	DIODE		S501A	RSS2B006-M	SW, ACTIVE CURRENT SENSOR	
D902, 903	MA165	DIODE		S501	SSH2128	SW, SPEAKER ON/OFF	
D1501, 1502	MA4082MTA	DIODE		S601	EVQ21405R	SW, PHONO	
		VARIABLE RESISTOR(S)		S602	EVQ21405R	SW, TUNER	
				S603	EVQ21405R	SW, VDP	
VR401	EWHFDAF20G15	V. R, BALANCE		S604	EVQ21405R	SW, TAPE	
VR601	EVQWQAF2524B	V. R, VOLUME		S605	EVQ21405R	SW, VCR	
VR1301	EW2XAF20C15	V. R, BASS		S606	EVQ21405R	SW, DIGITAL AUX	
VR1302	EW2XAF20C15	V. R, TREBLE		S607	EVQ21405R	SW, CD	
		POSISTOR(S)		S608	EVQ21405R	SW, DAT	
				S609	EVQ21405R	SW, S. DYNAMIC SOUND	
PS590	SRPBD47101	POSISTOR	170	S610	EVQ21405R	SW, VOLUME PRESET	
		COMPONENT COMBINATION (S)	3598	S611	EVQ21405R	SW, SUPER BASS	
				S612	EVQ21405R	SW, SUPER BASS LEVEL UP	
Z801, 802	H8DN2041B	COMPONENT COMBINATION		S613	EVQ21405R	SW, SUPER BASS LEVEL DOWN	
				S614	EVQ21405R	SW, SURROUND	
		COIL (S)		S701 △	ESB8249V	SW, POWER	
						CONNECTOR	
L501, 502	SLQY07G-40	COIL		J502	RJS1A1703	CONNECTOR (3P)	
L601	ELEXT100KA9	COIL		J551	SJT3213	CONNECTOR (3P)	
L602, 603	RLQZP101KT-Y	COIL		J701	RJS1A1705	CONNECTOR (5P)	
L800, 801	RLQZP470KT-Y	COIL		J201A	RJU060G07T	SOCKET	
L802	RLQZP101KT-Y	COIL		J202A	RJU060G07T	SOCKET	
L803	RLQZP3R3KT-Y	COIL		J203A	RJU060G07T	SOCKET	
L804	RLQZP1R2KT-Y	COIL		J204A	RJU060G07T	SOCKET	
L805	RLQZP3R3KT-Y	COIL		J207A	RJU060G05T	SOCKET	
L806	RLQZP1R2KT-Y	COIL		J208A	RJU060G05T	SOCKET	
L807	RLQZP3R3KT-Y	COIL		J209A	RJU060G05T	SOCKET	
L808-810	RLQZP1R2KT-Y	COIL		J210A	RJU060G05T	SOCKET	
L811	RLQZP3R3KT-Y	COIL		J501A	RJS1A1704	CONNECTOR (4P)	
		TRANSFORMER (S)		J601A	RJU003K010M1	SOCKET (10P)	
				J602A	RJU003K010M1	SOCKET (10P)	
T1 △	RTP1P5E004-W	POWER TRANSFORMER	(E, EG)	J603A	RJU003K008M1	SOCKET (8P)	
T1 △	SLT5P288-W	POWER TRANSFORMER	(EB)	J605A	RJU003K008M1	SOCKET (8P)	
		OSCILLATOR(S)		J631A	SJT30549BB1	CONNECTOR	
				J632A	SJT30549BB1	CONNECTOR	
X601	EF0GC6004T4	CERAMIC FILTER		J633A	SJT30549BB1	CONNECTOR	
		DISPLAY TUBE		J801A	RJU060G05T	SOCKET	
				J802A	RJU060G05T	SOCKET	
FL601	PSL0074-F	DISPLAY TUBE		J803A	RJU060G05T	SOCKET	
				J901A	RJU060G05T	SOCKET	
				J201B	RJT060B07	CONNECTOR	
				J202B	RJT060B07	CONNECTOR	

Ref. No.	Part No.	Part Name & Description	Remarks				
J203B	RJT060B07	CONNECTOR					
J204B	RJT060B07	CONNECTOR					
J207B	RJT060B05	CONNECTOR					
J208B	RJT060B05	CONNECTOR					
J209B	RJT060B05	CONNECTOR					
J210B	RJT060B05	CONNECTOR					
J501B	RJS1A1704	SOCKET (4P)					
J601B	RJT003K010M1	CONNECTOR (10P)					
J602B	RJT003K010M1	CONNECTOR (10P)					
J603B	RJT003K008M1	CONNECTOR (8P)					
J604B	RJT003K008M1	CONNECTOR (8P)					
J631B	SJS50581BB	SOCKET (5P)					
J632B	SJS50581BB	SOCKET (5P)					
J633B	SJS50581BB	SOCKET (5P)					
J801B	RJT060B05	CONNECTOR					
J802B	RJT060B05	CONNECTOR					
J803B	RJT060B05	CONNECTOR					
J901B	RJT060B05	CONNECTOR					
		JACK (S)					
JK201	SJF3068N	TERMINAL, PHONO					
JK202	SJF3069-5N	TERMINAL, TAPE					
JK203	SJF3069N	TERMINAL, TUNER/CD					
JK204	SJF3069N	TERMINAL, DAT/VCR					
JK205	SJF3069-5N	TERMINAL, VCR/VDP					
JK206	SJF3069N	TERMINAL, EXT					
JK501	RJR0054M	TERMINAL, SPEAKER A					
JK502	SJF3068-6N	TERMINAL, SPEAKER SURROUND					
JK503	RJR0054M	TERMINAL, SPEAKER B					
JK504	SJJ145A-1	JACK, HEADPHONES					
JK601	RJJ33T01	SYNCHRO, SYSTEMCONT. IN					
JK602	RJJ33T01	SYNCHRO, SYSTEMCONT. OUT					
JK603	RJJ33T01	SYNCHRO, CONTROL TO TURNTABL					
JK801	SJFD7-2	TERMINAL, DIGITAL INPUT					
JK901	SJF3061N	MONITOR, VCR/VDP					
JK902 Δ	SJS9333B	AC OUTLET	(E, EG)				
JK902 Δ	SJS9332B	AC OUTLET	(EB)				
JK903 Δ	SJS9231-1B	AC INLET					
		FUSE HOLDER (S)					
FC1-4 Δ	SJT388	FUSE HOLDER					
		RELAY (S)					
RL501	SSY134	RELAY					

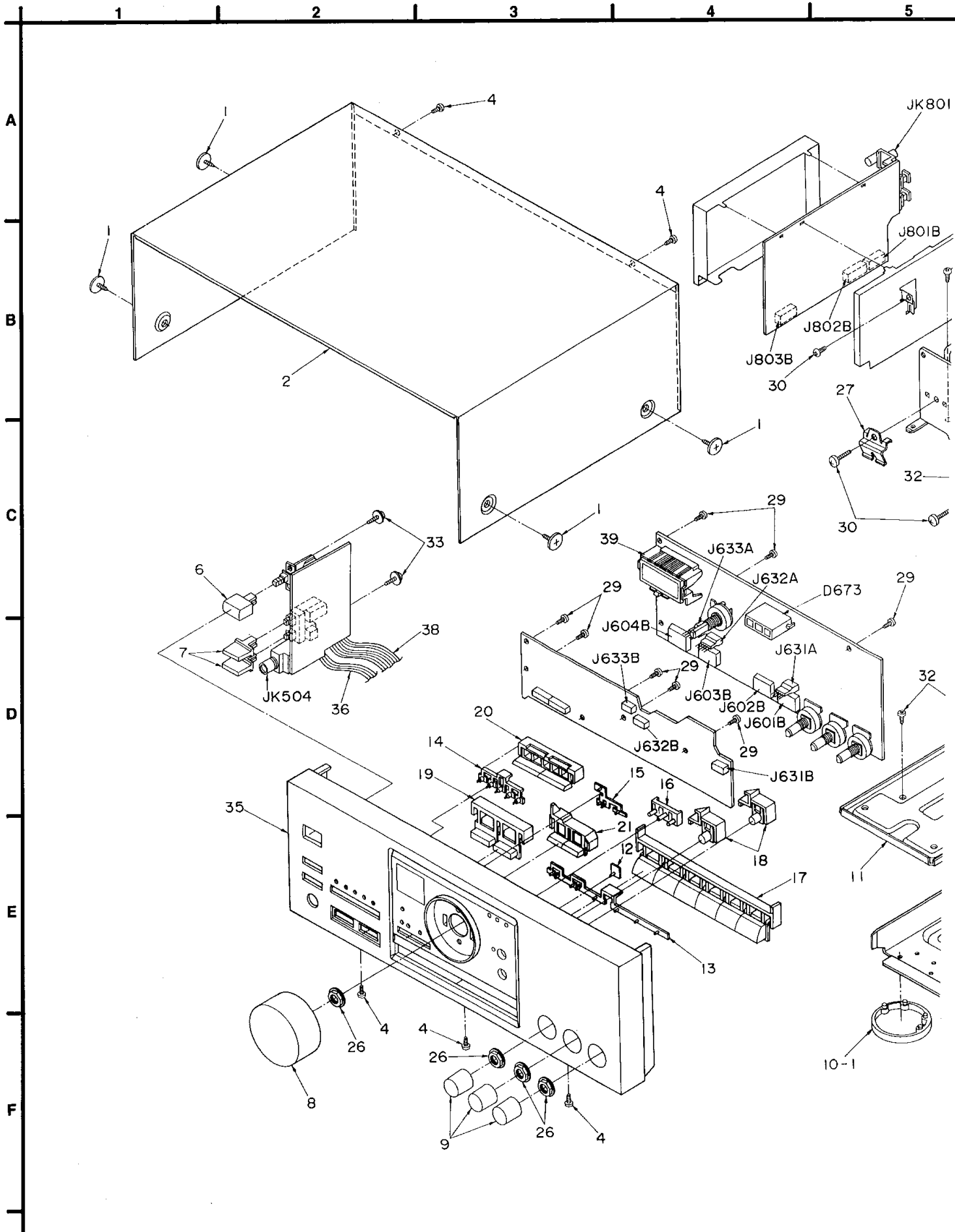
Notes : * Capacity value are in microfarads (μF) unless specified otherwise, P=Pico-farads (pF) F=Farads (F)
 * Resistance values are in ohms, unless specified otherwise, 1K=1,000(OHM) , 1M=1,000k(OHM)

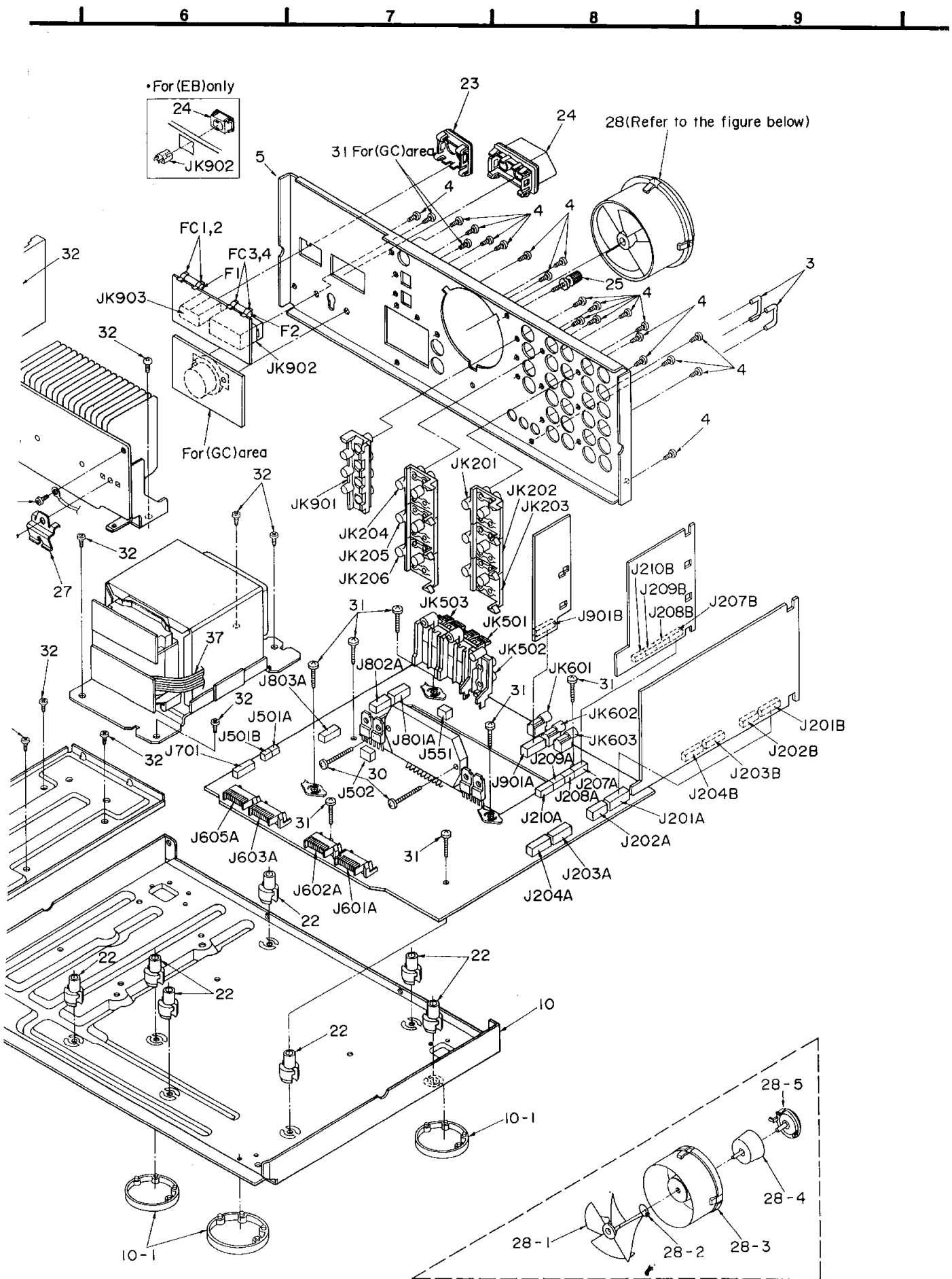
Ref. No.	Part No.	Values & Remarks	Ref. No.	Part No.	Values & Remarks	Ref. No.	Part No.	Values & Remarks
	*****		R331	ERDS2TJ105T	1/4W 1M	R522	ERDS1FVJ680T	1/2W 68 Δ
	SU-X902		R332	ERDS2TJ334	1/4W 330K	R524	ERDS2TJ105T	1/4W 1M
	*****		R401, 402	ERDS2TJ123	1/4W 12K	R525, 526	ERD25FVJ100T	1/4W 10 Δ
			R403, 404	ERDS2TJ683	1/4W 68K	R527, 528	ERDS1FVJ100T	1/2W 10 Δ ERDS2TJ10
		RESISTORS	R405, 406	ERDS2TJ393	1/4W 39K	R529	ERG1SJ331E	1W 330
			R407, 408	ERDS2TJ333	1/4W 33K	R530	ERDS2TJ223	1/4W 22K
R107, 108	ERDS2TJ471	1/4W 470	R409, 410	ERDS2TJ103	1/4W 10K	R531, 532	ERG2SJ331P	2W 330
R109, 110	ERDS2TJ473	1/4W 47K	R411, 412	ERDS2TJ332	1/4W 3.3K	R533, 534	ERDS2TJ562	1/4W 5.6K
R111, 112	ERDS2TJ331	1/4W 330	R413, 414	ERDS2TJ153	1/4W 15K	R535-538	ERDS2TJ472	1/4W 4.7K
R113, 114	ERDS2TJ560T	1/4W 56	R415, 416	ERDS2TJ222	1/4W 2.2K	R539	ERDS2TJ102	1/4W 1K
R115, 116	ERDS2TJ184T	1/4W 180K	R417, 418	ERDS2TJ221	1/4W 220	R540	ERDS2TJ334	1/4W 330K
R117, 118	ERDS2TJ123	1/4W 12K	R419, 420	ERDS2TJ273	1/4W 27K	R541	ERDS2TJ473	1/4W 47K
R119, 120	ERDS2TJ224T	1/4W 220K	R421, 422	ERDS2TJ470	1/4W 47	R542	ERDS2TJ103	1/4W 10K
R121, 122	ERDS2TJ102	1/4W 1K	R423, 424	ERDS2TJ153	1/4W 15K	R543	ERDS1FVJ560T	1/2W 56 Δ
R123, 124	ERDS2TJ471	1/4W 470	R425-428	ERDS2TJ152	1/4W 1.5K	R545, 546	ERDS2TJ223	1/4W 22K
R201, 202	ERDS2TJ472	1/4W 4.7K	R429, 430	ERDS2TJ333	1/4W 33K	R550	ERDS2TJ102	1/4W 1K
R203-206	ERDS2TJ102	1/4W 1K	R431, 432	ERDS2TJ102	1/4W 1K	R551	ERDS2TJ104	1/4W 100K
R207, 208	ERDS2TJ822	1/4W 8.2K	R433	ERDS2TJ105T	1/4W 1M	R552, 553	ERG1SJ331E	1W 330
R209, 210	ERDS2TJ102	1/4W 1K	R434	ERDS2TJ334	1/4W 330K	R554	ERD25FJ470	1/4W 47 Δ
R211, 212	ERDS2TJ821	1/4W 820	R435, 436	ERDS2TJ102	1/4W 1K	R590	ERDS2TJ392T	1/4W 3.9K
R213, 214	ERDS2TJ822	1/4W 8.2K	R437	ERDS2TJ105T	1/4W 1M	R601	ERDS2TJ223	1/4W 22K
R215-218	ERDS2TJ102	1/4W 1K	R438	ERDS2TJ334	1/4W 330K	R602-604	ERDS2TJ393	1/4W 39K
R219, 220	ERDS2TJ222	1/4W 2.2K	R439, 440	ERDS2TJ152	1/4W 1.5K	R605	ERDS2TJ223	1/4W 22K
R221, 222	ERDS2TJ392T	1/4W 3.9K	R441, 442	ERDS2TJ222	1/4W 2.2K	R606-608	ERDS2TJ393	1/4W 39K
R230, 231	ERDS2TJ102	1/4W 1K	R443, 444	ERDS2TJ102	1/4W 1K	R609-612	ERDS2TJ100	1/4W 10
R232, 233	ERDS2TJ272T	1/4W 2.7K	R445	ERDS2TJ222	1/4W 2.2K	R613	ERDS2TJ688	1/4W 6.8
R249	ERDS2TJ103	1/4W 10K	R446	ERDS2TJ104	1/4W 100K	R615, 616	ERDS2TJ151	1/4W 150
R250	ERDS2TJ223	1/4W 22K	R447	ERDS2TJ334	1/4W 330K	R617-620	ERDS2TJ104	1/4W 100K
R251, 252	ERDS2TJ473	1/4W 47K	R448	ERDS2TJ105T	1/4W 1M	R621, 622	ERDS2TJ103	1/4W 10K
R253, 254	ERDS2TJ183T	1/4W 18K	R449	ERDS2TJ332	1/4W 3.3K	R623	ERDS2TJ222	1/4W 2.2K
R255, 256	ERDS2TJ153	1/4W 15K	R450	ERDS2TJ103	1/4W 10K	R624	ERDS2TJ332	1/4W 3.3K
R257, 258	ERDS2TJ473	1/4W 47K	R451, 452	ERDS2TJ472	1/4W 4.7K	R625	ERDS2TJ103	1/4W 10K
R271, 272	ERDS2TJ152	1/4W 1.5K	R455	ERDS2TJ103	1/4W 10K	R626	ERDS2TJ332	1/4W 3.3K
R297, 298	ERDS2TJ182	1/4W 1.8K	R456	ERDS2TJ151	1/4W 150	R627	ERDS2TJ222	1/4W 2.2K
R301-304	ERDS2TJ223	1/4W 22K	R471-474	ERDS2TJ334	1/4W 330K	R628	ERDS2TJ332	1/4W 3.3K
R305, 306	ERDS2TJ224T	1/4W 220K	R477, 478	ERDS2TJ102	1/4W 1K	R629	ERDS2TJ103	1/4W 10K
R307, 308	ERDS2TJ332	1/4W 3.3K	R500	ERDS2TJ100	1/4W 10	R630	ERDS2TJ102	1/4W 1K
R309, 310	ERDS2TJ223	1/4W 22K	R501	ERDS2TJ104	1/4W 100K	R631	ERDS2TJ103	1/4W 10K
R311, 312	ERDS2TJ393	1/4W 39K	R502	ERDS2TJ105T	1/4W 1M	R632	ERDS2TJ222	1/4W 2.2K
R313-315	ERDS2TJ223	1/4W 22K	R507, 508	ERDS2TJ222	1/4W 2.2K	R633	ERDS2TJ103	1/4W 10K
R316	ERDS2TJ622T	1/4W 6.2K	R509, 510	ERDS2TJ563	1/4W 56K	R634	ERDS2TJ822	1/4W 8.2K
R317	ERDS2TJ562	1/4W 5.6K	R511, 512	ERDS2TJ182	1/4W 1.8K	R635	ERDS2TJ393	1/4W 39K
R318	ERDS2TJ123	1/4W 12K	R513, 514	ERDS2TJ563	1/4W 56K	R636	ERDS2TJ332	1/4W 3.3K
R319	ERDS2TJ224T	1/4W 220K	R515, 516	ERDS2TJ223	1/4W 22K	R637	ERDS2TJ103	1/4W 10K
R321, 322	ERDS2TJ332	1/4W 3.3K	R517	ERDS2TJ563	1/4W 56K	R638	ERDS2TJ104	1/4W 100K
R324	ERDS2TJ332	1/4W 3.3K	R518	ERDS2TJ684	1/4W 680K	R639	ERDS2TJ105T	1/4W 1M
R325, 326	ERDS2TJ392T	1/4W 3.9K	R519	ERDS2TJ154	1/4W 150K	R640	ERDS2TJ102	1/4W 1K
R327, 328	ERDS2TJ104	1/4W 100K	R520	ERDS2TJ153	1/4W 15K	R641	ERDS2TJ223	1/4W 22K
R329	ERDS2TJ332	1/4W 3.3K	R521	ERDS2TJ103	1/4W 10K	R642	ERDS2TJ103	1/4W 10K

Ref. No.	Part No.	Values & Remarks	Ref. No.	Part No.	Values & Remarks	Ref. No.	Part No.	Values & Remarks
R643	ERDS2TJ105T	1/4W 1M	R850	ERDS2TJ182	1/4W 1.8K			
R646	ERDS2TJ223	1/4W 22K	R851, 852	ERDS2TJ392T	1/4W 3.9K			CAPACITORS
R647	ERDS2TJ103	1/4W 10K	R855, 856	ERDS2TJ103	1/4W 10K			
R651	ERDS2TJ331	1/4W 330	R857	ERDS2TJ471	1/4W 470	C107, 108	ECBT1H101KB5	50V 100P
R652	ERDS2TJ181T	1/4W 180	R858	ERDS2TJ182	1/4W 1.8K	C109, 110	ECBT1H102KB5	50V 1000P
R653, 654	ERDS2TJ331	1/4W 330	R860-864	ERDS2TJ101	1/4W 100	C111, 112	ECA1EAP330B	25V 33U
R655, 656	ERDS2TJ181T	1/4W 180	R901, 902	ERDS2TJ471	1/4W 470	C115, 116	ECFR1E223KR	25V 0.022U
R657, 658	ERDS2TJ390	1/4W 39	R904, 905	ERDS2TJ392T	1/4W 3.9K	C117, 118	ECFR1E682KR	25V 6800P
R659, 660	ERDS2TJ272T	1/4W 2.7K	R906, 907	ERDS2TJ103	1/4W 10K	C119, 120	ECA1HAP010B	50V 1U
R661	ERDS2TJ331	1/4W 330	R908	ERDS2TJ182	1/4W 1.8K	C121, 122	ECBT1E103ZF	25V 0.01U
R662	ERDS2TJ101	1/4W 100	R909	ERGISJ151E	1W 150	C200	ECBT1E223ZF	25V 0.022U
R663	ERDS2TJ331	1/4W 330	R910	ERDS2TJ102	1/4W 1K	C201	ECBT1H470J5	50V 47P
R697-699	ERDS2TJ101	1/4W 100	R911	ERDS2TJ392T	1/4W 3.9K	C203, 204	ECBT1E103ZF	25V 0.01U
R701, 702	ERDS1FVJ472T	1/2W 4.7K Δ	R912, 913	ERDS2TJ470	1/4W 47	C205, 206	ECBT1H180J5	50V 18P
R703	ERD25FJ101	1/4W 100 Δ	R914	ERDS1FVJ101T	1/2W 100 Δ	C207, 208	ECBT1H151KB5	50V 150P
R704	ERDS2TJ473	1/4W 47K	R915, 916	ERDS2TJ561	1/4W 560	C209-216	ECBT1H101KB5	50V 100P
R705	ERDS2TJ103	1/4W 10K	R917	ERDS2TJ471	1/4W 470	C219, 220	ECBT1H151KB5	50V 150P
R706	ERDS1FVJ2R2T	1/2W 2.2 Δ	R918, 919	ERDS2TJ470	1/4W 47	C221-230	ECBT1H101KB5	50V 100P
R707	ERDS1FVJ3R3T	1/2W 3.3 Δ	R920	ERDS2TJ393	1/4W 39K	C231, 232	ECBT1E103ZF	25V 0.01U
R709	ERDS2TJ562	1/4W 5.6K	R1301, 1302	ERDS2TJ102	1/4W 1K	C250	ECEA1CKA220B	16V 22U
R710	ERDS1FVJ331T	1/2W 330 Δ	R1303, 1304	ERDS2TJ822	1/4W 8.2K	C251, 252	ECEA1HKA3R3B	50V 3.3U
R711	ERDS2TJ102	1/4W 1K	R1305, 1306	ERDS2TJ223	1/4W 22K	C253, 254	ECEA1HKA47B	50V 0.47U
R713	ERDS2TJ2R2T	1/4W 2.2	R1307, 1308	ERDS2TJ392T	1/4W 3.9K	C255, 256	ECBT1H180J5	50V 18P
R716	ERDS2TJ2R2T	1/4W 2.2	R1309, 1310	ERDS2TJ182	1/4W 1.8K	C258, 259	ECBT1E223ZF	25V 0.022U
R717	ERDS2TJ150T	1/4W 15	R1311, 1312	ERDS2TJ821	1/4W 820	C271, 272	ECBT1H101KB5	50V 100P
R721, 722	ERDS2TJ334	1/4W 330K	R1313, 1314	ERDS2TJ333	1/4W 33K	C273, 274	ECEA1CKA220B	16V 22U
R723	ERDS2TJ472	1/4W 4.7K	R1501, 1502	ERDS2TJ123	1/4W 12K	C297, 298	ECBT1H151KB5	50V 150P
R727	ERDS2TJ104	1/4W 100K	R1503, 1504	ERDS2TJ103	1/4W 10K	C301, 302	ECA1HAP3R3B	50V 3.3U
R801	ERDS2TJ750	1/4W 75	R1505, 1506	ERDS2TJ101	1/4W 100	C303	ECBT1H680J5	50V 68P
R803	ERDS2TJ104	1/4W 100K	R1507, 1508	RREEMKR10VC	2W 0.1	C304	ECQV1H823JZ	50V 0.082U
R804	ERDS2TJ182	1/4W 1.8K	R1509-1512	ERDS2TJ103	1/4W 10K	C305	ECEA1HKA3R3B	50V 3.3U
R805	ERDS2TJ122	1/4W 1.2K	R1513-1516	ERDS2TJ104	1/4W 100K	C306	ECBT1H221KB5	50V 220P
R809	ERDS2TJ122	1/4W 1.2K	R1517, 1518	ERDS2TJ472	1/4W 4.7K	C307	ECEA1HKA3R3B	50V 3.3U
R810	ERDS2TJ103	1/4W 10K	R1519, 1520	ERDS2TJ272T	1/4W 2.7K	C309, 310	ECBT1H820KB5	50V 82P
R811	ERDS2TJ102	1/4W 1K	R1521-1526	ERDS2TJ563	1/4W 56K	C311, 312	ECA1HAP3R3B	50V 3.3U
R813	ERDS2TJ102	1/4W 1K	R1527, 1528	ERDS2TJ103	1/4W 10K	C313, 314	ECBT1E103ZF	25V 0.01U
R814	ERDS2TJ103	1/4W 10K	R1529, 1530	ERDS2TJ392T	1/4W 3.9K	C395, 396	ECBT1H120J5	50V 12P
R815	ERDS2TJ560T	1/4W 56	R1531, 1532	ERDS2TJ223	1/4W 22K	C398, 399	ECBT1E103ZF	25V 0.01U
R816	ERDS2TJ472	1/4W 4.7K	R1533, 1534	ERDS2TJ272T	1/4W 2.7K	C411, 412	ECFR1E473KR	25V 0.047U
R817-819	ERDS2TJ473	1/4W 47K	R1535, 1536	ERDS2TJ223	1/4W 22K	C413, 414	ECEA1HKA22B	50V 0.22U
R821	ERDS2TJ101	1/4W 100	R1537, 1538	ERDS2TJ103	1/4W 10K	C415, 416	ECFR1E682KR	25V 6800P
R823	ERDS2TJ472	1/4W 4.7K	R1539	ERDS2TJ333	1/4W 33K	C417, 418	ECFR1E272KR	25V 2700P
R827	ERDS1FVJ271T	1/2W 270 Δ	R1540	ERDS2TJ102	1/4W 1K	C419, 420	ECFR1E333KR	25V 0.033U
R828	ERDS1FVJ680T	1/2W 68 Δ	R1541, 1542	ERDS2TJ752T	1/4W 7.5K	C421, 422	ECEA1HKA3R3B	50V 3.3U
R829	ERDS1FVJ820T	1/2W 82 Δ	R1551, 1552	ERDS2TJ123	1/4W 12K	C423, 424	ECA1HAP100B	50V 10U
R833, 834	ERDS2TJ221	1/4W 220	R1553, 1554	ERDS2TJ103	1/4W 10K	C427	ECEA1JKA470B	6.3V 47U
R837, 838	ERDS2TJ474	1/4W 470K	R1555, 1556	ERDS2TJ562	1/4W 5.6K	C432	ECEA1CKA100B	16V 10U
R839, 840	ERDS2TJ102	1/4W 1K	R1557, 1558	ERDS2TJ103	1/4W 10K	C433, 434	ECBT1E103ZF	25V 0.01U
R841	ERDS2TJ104	1/4W 100K	R1559, 1560	ERDS2TJ273	1/4W 27K	C451, 452	ECEA1CKA220B	16V 22U
R842-844	ERDS2TJ272T	1/4W 2.7K	R1561-1564	ERDS2TJ102	1/4W 1K	C453, 454	ECA1HAP010B	50V 1U
R845-848	ERDS2TJ471	1/4W 470	R1565, 1566	ERDS2TJ123	1/4W 12K	C455	ECEA1CKA220B	16V 22U
R849	ERDS2TJ105T	1/4W 1M	R1567, 1568	ERDS2TJ683	1/4W 68K	C456	ECEA1CKA100B	16V 10U

Ref. No.	Part No.	Values & Remarks	Ref. No.	Part No.	Values & Remarks	Ref. No.	Part No.	Values & Remarks
C457	ECEA1CKA220B	16V 22U	C802, 803	ECEA1CKA100B	16V 10U			
C471, 472	ECA1HAP3R3B	50V 3. 3U	C804	ECBT1H104ZF5	50V 0. 1U			
C473, 474	ECBT1H101KB5	50V 100P	C805	ECBT1H102KB5	50V 1000P			
C475, 476	ECBT1H821KB5	50V 820P	C806	ECFR1E104ZF5	25V 0. 1U			
C477, 478	ECBT1H680J5	50V 68P	C807	ECEA1CKA100B	16V 10U			
C479, 480	ECEA1HKA3R3B	50V 3. 3U	C808	ECEA1HKA010B	50V 1U			
C483, 484	ECBT1E103ZF	25V 0. 01U	C809	ECQV1H104JZ3	50V 0. 1U			
C501, 502	ECBT1H331KB5	50V 330P	C810	ECBT1H220J5	50V 22P			
C503, 504	ECBT1H151KB5	50V 150P	C811	ECEAOJKA101B	6. 3V 100U			
C505, 506	ECA1HAP2R2B	50V 2. 2U	C814	ECEAOJKA101B	6. 3V 100U			
C507, 508	ECBT1H100J5	50V 10P	C815	ECEA1CKA100B	16V 10U			
C509, 510	ECKT1H223ZF	50V 0. 022U	C816	ECBT1H102KB5	50V 1000P			
C513	ECEA1CKA100B	16V 10U	C818	ECEA1EKA4R7B	25V 4. 7U			
C514	ECEAOJKA470B	6. 3V 47U	C819, 820	ECEAOJKA101B	6. 3V 100U			
C516-518	ECBT1E103ZF	25V 0. 01U	C821	ECBT1E103ZF	25V 0. 01U			
C519	ECA1HAP330B	50V 33U	C822	ECEA1EKA100B	25V 10U			
C520	ECA2AAP100B	100V 10U	C823	ECBT1H102KB5	50V 1000P			
C521	ECA1EM101B	25V 100U	C825, 826	ECEA1CKN100B	16V 10U			
C523, 524	ECA1HAP3R3B	50V 3. 3U	C827, 828	ECBT1C103NS5	16V 0. 01U			
C525, 526	ECBT1H561KB5	50V 560P	C829, 830	ECBT1H102KB5	50V 1000P			
C535, 536	ECBT1E223ZF	25V 0. 022U	C831	ECBT1E103ZF	25V 0. 01U			
C537, 538	ECBT1H102KB5	50V 1000P	C833	ECBT1H104ZF5	50V 0. 1U			
C539, 540	ECBT1E223ZF	25V 0. 022U	C834	ECBT1H102KB5	50V 1000P			
C541-546	ECBT1H102KB5	50V 1000P	C835	ECBT1E103ZF	25V 0. 01U			
C597, 598	ECBT1H102KB5	50V 1000P	C836-838	ECEA1EKA4R7B	25V 4. 7U			
C601	ECBT1E103ZF	25V 0. 01U	C840	ECBT1H331KB5	50V 330P			
C602	ECEAOJU102	6. 3V 1000U	C843	ECBT1H220J5	50V 22P			
C603	ECEA1HKA3R3B	50V 3. 3U	C844	ECBT1H102KB5	50V 1000P			
C604	ECEA1VKA100B	35V 10U	C901	ECBT1E103ZF	25V 0. 01U			
C605	ECBT1E103ZF	25V 0. 01U	C902	ECEA1CKA100B	16V 10U			
C606, 607	ECEA1HKA010B	50V 1U	C903, 904	ECEA1CKA470B	16V 47U			
C608	ECBT1H101KB5	50V 100P	C1301, 1302	ECFR1E123KR	25V 0. 012U			
C610	ECEA1HKA010B	50V 1U	C1303, 1304	ECFR1E683KR	25V 0. 068U			
C651, 652	ECBT1H104ZF5	50V 0. 1U	C1305, 1306	ECFR1E472KR	25V 4700P			
C653, 654	ECBT1H470J5	50V 47P	C1307, 1308	ECFR1E223KR	25V 0. 022U			
C700	ECKWNS103ZV	500V 0. 01U	C1309, 1310	ECA1HAP010B	50V 1U			
C701	ECBT1H102KB5	50V 1000P	C1501-1504	ECEA1HKA2R2B	50V 2. 2U			
C702	ECKR1H103ZF5	50V 0. 01U	C1505, 1506	ECFR1E223KR	25V 0. 022U			
C703, 704	ECEA1EKA100B	25V 10U	C1507, 1508	ECBT1H820KB5	50V 82P			
C705, 706	ECEA1CKA100B	16V 10U	C1509-1512	ECFR1E104KR	25V 0. 1U			
C707	ECBT1E103ZF	25V 0. 01U	C1513, 1514	ECBT1H331KB5	50V 330P			
C708	ECEA1AU221	10V 220U	C1515, 1516	ECBT1C103MS5	16V 0. 01U			
C709	ECEA1HKA2R2B	50V 2. 2U	C1517, 1518	ECBT1E103ZF	25V 0. 01U			
C710	ECBT1E223ZF	25V 0. 022U	C1521A	ECA1HAP2R2B	50V 2. 2U			
C711, 712	ECOS1JP682CZ	63V 6800U	C1521	ECBT1H102KB5	50V 1000P			
C713	ECQE2104KF3	100V 0. 1U	C1522A	ECA1HAP2R2B	50V 2. 2U			
C715	ECEA1VKA100B	35V 10U	C1522	ECBT1H102KB5	50V 1000P			
C716	ECBT1H102KB5	50V 1000P	C1551, 1552	ECA1HAP3R3B	50V 3. 3U			
C721	ECEA1HKA010B	50V 1U	C1553, 1554	ECBT1H151KB5	50V 150P			
C731	ECFR1E104ZF5	25V 0. 1U	C1555, 1556	ECEA1HKA2R2B	50V 2. 2U			
C800	ECBT1E223ZF	25V 0. 022U	C1557, 1558	ECQV1H124JZ3	50V 0. 12U			
C801	ECBT1E103ZF	25V 0. 01U	C1559, 1560	ECBT1E103ZF	25V 0. 01U			

CABINET PARTS LOCATION

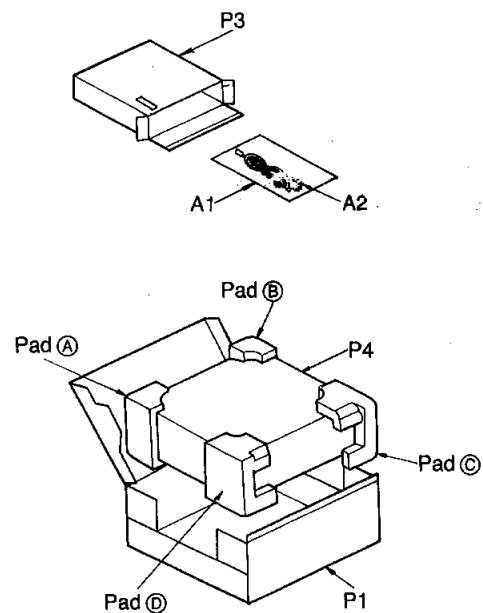




Ref. No.	Part No.	Part Name & Description	Remarks
		CABINET PARTS	
1	RHD30007	SCREW	
2	RKM0024A-2K	COVER	
3	SJP9205-2Y	SHORTING PIN	
4	XTBS3+8JFZ1	SCREW	
5	RGR0105C-A1	REAR PANEL	(E)
5	RGR0105B-A2	REAR PANEL	(EB)
5	RGR0105C-B1	REAR PANEL	(EG)
6	RGU0030	KNOB, POWER	
7	RGU0101	KNOB, SPEAKER	
8	RGW0121-K	KNOB, MAIN VOL.	
9	RGW0125-K	KNOB, BALANCE VOL.	
10	RFKJUX502E-K	BUTTON BOARD ASS'Y	
10-1	RKA0011-2	FOOT	
11	RMA0138	PLATE	
12	RFKNUX502EAK	PANEL LIGHT	
13	RGL0094-X	PANEL LIGHT	
14	RGL0096-X	PANEL LIGHT	
15	RFKNUX502EBK	PANEL LIGHT	
16	RGL0131-C	PANEL LIGHT	
17	RGU0470-K1	BUTTON, SELECT	
18	RGU0471-K1	BUTTON, VOL. PRESET	
19	RGU0472-C	KNOB, S. DYNAMIC	
20	RGU0473-K1	BUTTON, S. DYNAMIC UP/DOWN	
21	RGU0474A-K	BUTTON, TAPE	
22	SHE187-2	HOLDER	
23	SJS9231A	AC INLET COVER	
24	SJS9333A	AC OUTLET COVER	(E, EG)
24	SJS9332A	AC OUTLET COVER	(EB)
25	SNE2123	GND SCREW	
26	SNE4021-1	NUT	
27	SUS894-1	ANGLE	
28	SYE1128-2	FAN ASS'Y	
28-1	SHE232	FAN	
28-2	SUS271	SPRING	
28-3	SUS233	FAN CASE	
28-4	MDN-4RB4MHC	MOTOR	
28-5	SHE234	CAP	
29	XTBS26+8J	SCREW	
30	XTB3+16JFZ	SCREW	
31	XTB3+20JFZ	SCREW	
32	XTB3+8JFZ	SCREW	
33	XTWS3+8T	SCREW	
35	RFKGUX902E-K	FRONT PANEL ASS'Y	
36	RWJ1803200KQ	FLAT CABLE	
37	RWJ1805110KQ	FLAT CABLE	
38	RWJ1808150KQ	FLAT CABLE	
39	RMN0102	FL HOLDER	

Ref. No.	Part No.	Part Name & Description	Remarks
		PACKING MATERIAL	
P1	RPG0841	CARTON BOX	
P2	RPN0412	PAD	
P3	SPSD152	ACCESSORIES BOX	
P4	XZB60X65A01Z	POLYETHYLENE COVER	
		ACCESSORIES	
A1	RQF1096	INST. MANUAL ASS'Y	(E)
A1	RQF1097	INST. MANUAL ASS'Y	(EB)
A1	RQF1098	INST. MANUAL ASS'Y	(EG)
A1-1	RQT1000-B	INSTRUCTIONS MANUAL	(EB)
A1-1	RQT1001-D	INSTRUCTIONS MANUAL	(EG)
A1-1	RFKSUX502E-K	INSTRUCTIONS MANUAL	(E)
A1-2	RQA0013	WARRANTY CARD	
A1-3	RQCB0169	SERVICE CENTER LIST	
A1-4	SPB1061	POLYETHYLENE COVER	
A2 △	SJA187	AC POWER SUPPLY CORD	(E, EG)
A2 △	SJA188	AC POWER SUPPLY CORD	(EB)

PACKAGING



P2: Pad (A) (B) (C) (D) ass'y; RPN0412